

MAGFIT™ SX



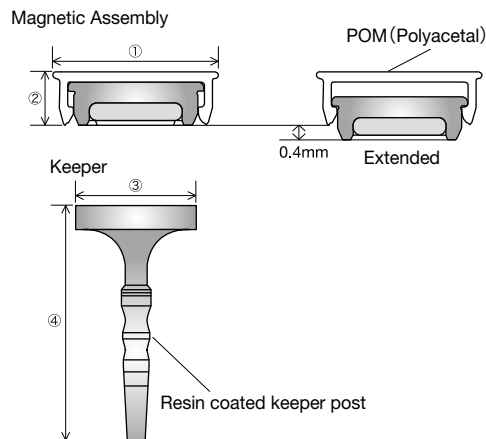
Magfit SX is a magnetic attachment which gives the magnetic assembly a slide mechanism for adjusting the difference in the settlement amount of soft tissue and hard tissue. It became easier to deal with correction of vertical settlement amount of denture and composite movement. In addition, even at the lab side it is possible to attach the magnetic assembly to the denture. The magnetic assembly have L type and S type. Since the keeper can be cemented directly to the tooth root, the casting operation can be omitted and treatment can be done immediately.

Specifications

Basic Performance

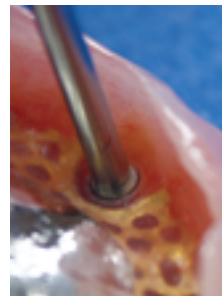
		MAGFIT SX-S	MAGFIT SX-L	
Attractive force		400 gf	600 gf	
Leakage Magnetic field		0.002T	0.003T	
Dimensions (mm)	Magnetic Assembly	outer diameter ①	Ø4.7	Ø5.2
		Height ②	1.4	1.6
	Keeper	Asdorption area ③	Ø3.3	Ø3.7
		Height ④	7.5	7.7

Structure and Materials

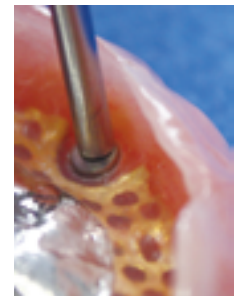


Reliability

It can move up to 0.4mm vertically or tilt 8° with the movement of the denture. The cap has an interlocking force (force required to separate) of about 15 kgf.



Compressed



Extended

Movement of Magnetic Assembly

Notice

Plastic caps may deteriorate due to long-term use in the oral cavity.
Accessory metallic spacers are required when relining.

Accessories

- The following accessories are included in the package.
1. Plastic dummy: Ensure space for attachment of the magnetic assembly.
 2. Washer type spacer: Secure the settlement gap for the denture.
 3. Metal spacer: Secure space for vertical settlement of magnet

